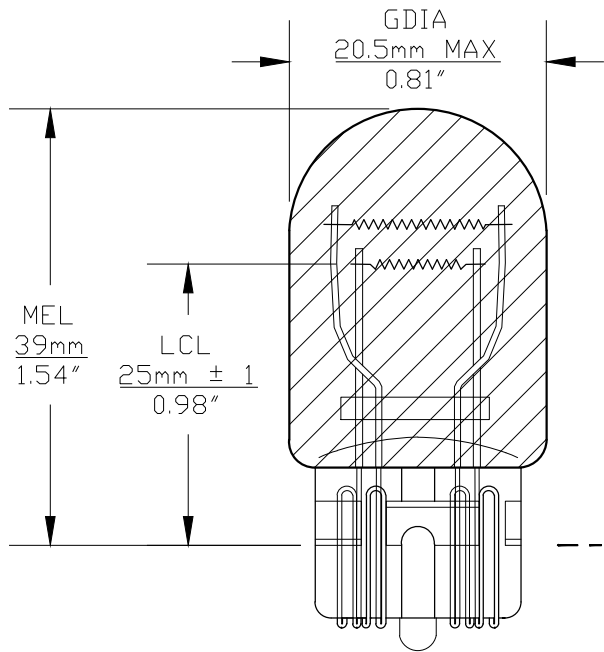
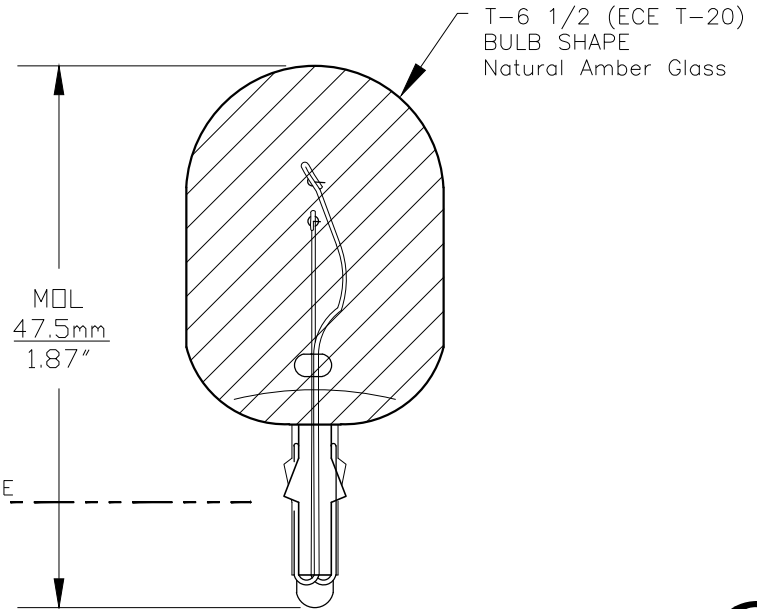




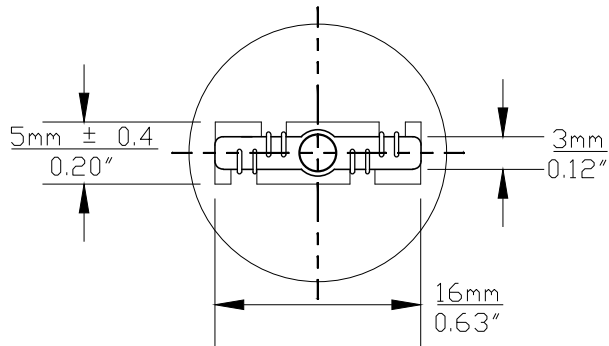
PART NO.	BASE TYPE	DESIGN VOLTS	DESIGN AMPS	MSCD	FILAMENT TYPE	AVERAGE LIFE HOURS	REVISIONS			
							REV #	DESCRIPTION	DATE	APPROVED
7444NA	Glass Wedge W3X16q (T-6 1/2)	12.8V 14.0V	2.23±5% 0.59±10%	30.0±15% 2.2±15%	C-6 C-6	400 5000	1	ISSUED	05/05/2012	S.L.
							2	REDRAWN FOR ADDITIONAL VIEWS	06/30/2014	R.M.
							3	UPDATED LOWER MSCP/LIFE HOURS	07/12/2018	R.M.



0° VIEW



90° VIEW



BASE BOTTOM VIEW

T-6 1/2 (ECE T-20)
BULB SHAPE
Natural Amber Glass

--- REFERENCE PLANE ---



Note: Made according to ECE/R37 specifications

UNLESS OTHERWISE SPECIFIED: DIMENSIONS ARE IN INCHES TOLERANCES		CEC INDUSTRIES LTD			
DECIMALS .XX ± .05		599 BOND STREET		LINCOLNSHIRE, IL 60069	
ANGULAR .XXX ± .010		TITLE LIGHT BULB NO. 7444NA (WY28/8W)			
FRACTIONAL ±1/64		DATE 04/18/2012	SIZE A	DWG NO. 7444NA	REV 3
DRAWN SIDNEY LIU	CHECKED	DESIGN	SCALE	PLOT SCALE	SHEET 1 OF 1
MATERIAL		FILE 7444NA.pdf	DRAWING NOT TO SCALE		